



## eSPRESSO CC 675 EQ

ART.NR.: 839613

FARBE: SILK TITAN (BLACK)

RAHMENGRÖSSEN: XS-S-M-L-XL

## eSPRESSO CC 600 EQ

ART.NR.: 839943

FARBE: SILK TITAN (BLACK)

RAHMENGRÖSSEN: XS-S-M-L-XL



750Wh  
AKKU

27,5"

ALU

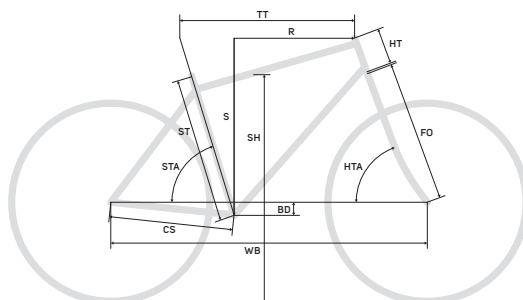
630Wh  
AKKU

SHIMANO  
EP8  
MOTOR

### Spezifikationen

<b>MOTOR</b>	<b>Shimano EP8; 85Nm</b>	<b>KURBELSATZ</b>	Samox NWP203 ; 38 ATC
<b>AKKU</b>	<b>675: Simplo Internal Battery; 750Wh</b> <b>600: Shimano E8036; 630Wh</b>	<b>KASSETTE</b>	Shimano M5100; 11-51 ATC; 11 Gang
<b>DISPLAY</b>	Shimano SC-E6100	<b>KETTE</b>	KMC e11S
<b>GÄNGE</b>	11 Gänge	<b>FELGE</b>	ALUMINIUM; MERIDA COMP TK; 20 IWR
<b>RAHMEN</b>	eSPRESSO CITY LITE II; MAT aluminium; 650B WHS; 135x9 AST; internal; max. 630 Wh	<b>REIFEN</b>	V: Maxxis Crossmark II; 27.5x2.25"; wire; reflecting line H: Maxxis Crossmark II; 27.5x2.25"; wire; reflecting line
<b>GABEL</b>	Suntour MOBIE A32 DS; Coil; 75 STR	<b>NABE V</b>	Shimano Deore; 100x15 WHF; 32 SPH; Centerlock
<b>SCHALTWERK</b>	Shimano DEORE M5100	<b>NABE H</b>	Shimano Deore; 135x9 WHR; 36 SPH; Centerlock
<b>SCHALTHEBEL</b>	Shimano Deore M5100	<b>SATTELSTÜTZE</b>	MERIDA EXPERT TK; 30.9 DSP; 15 SSB; 40 SST
<b>BREMSEN</b>	V: Shimano MT402-3A; 2 piston H: Shimano MT402-3A; 2 piston	<b>SATTEL</b>	MERIDA EXPERT TK; V-mount; incl. MERIDA minitool

### Geometrie



#### eSPRESSO CITY LITE II / HG

FS	XS(38)	S(43)	M(48)	L(53)	XL(58)
TS	28"	28"	28"	28"	28"
ST	380	430	480	530	580
TT	580	595	615	635	655
CS	470	470	470	470	470
HTA	70	70	70	70	70
STA	73.5	73.5	73.5	73.5	73.5
BD	65	65	65	65	65
HT	170	175	180	190	200
FL	475	475	475	475	475
R	386	399	418	435	452
S	656	661	665	675	684
WB	1113	1128	1149	1169	1190
SH	413	413	412	412	411